



**HANDWRITING**

**BEGINNER LEVEL**

Backhand

Backhand

Handwriting practice lines with a dashed midline and diamond markers.

Handwriting practice lines with a dashed midline and diamond markers.

Handwriting practice lines with a dashed midline and diamond markers.



**HANDWRITING**

**BEGINNER LEVEL**

Competition

Competition

Competition

Competition

Competition

Competition

Competition



**HANDWRITING**

**BEGINNER LEVEL**

Forehand

Forehand

Forehand

Forehand

Forehand



**HANDWRITING**

**BEGINNER LEVEL**

Serve

Serve

•  
◊ ◊ ◊

•  
◊ ◊ ◊

•  
◊ ◊ ◊



**HANDWRITING**

**BEGINNER LEVEL**

Slice

Slice

Slice

Slice

Slice



**HANDWRITING**

**BEGINNER LEVEL**

Smash

Smash

Smash

Smash

Smash



**HANDWRITING**

**BEGINNER LEVEL**

Tennis

Tennis

Tennis

Tennis

Tennis



**HANDWRITING**

**BEGINNER LEVEL**

Tournament

Tournament

Handwriting practice lines with a starting dot on the top line and a diamond on the bottom line.

Handwriting practice lines with a starting dot on the top line and a diamond on the bottom line.

Handwriting practice lines with a starting dot on the top line and a diamond on the bottom line.

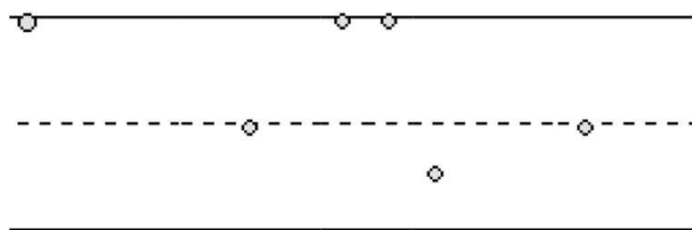
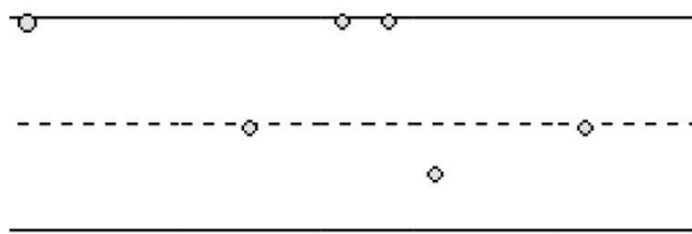
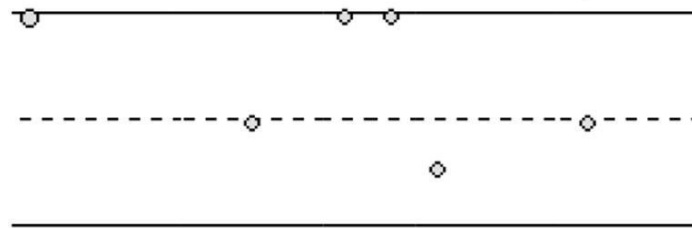
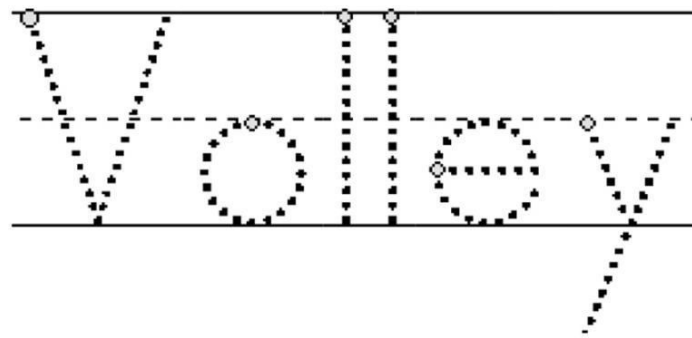
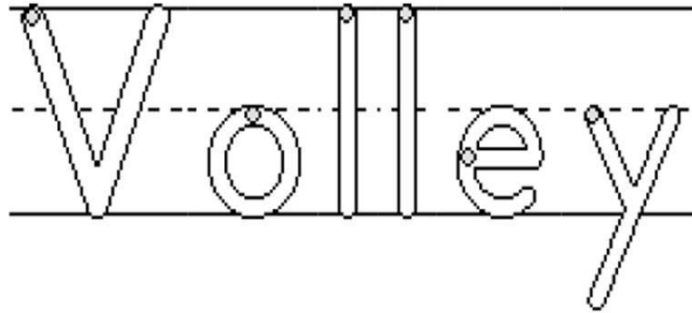
Handwriting practice lines with a starting dot on the top line and a diamond on the bottom line.





**HANDWRITING**

**BEGINNER LEVEL**





**HANDWRITING**

**BEGINNER LEVEL**

Wimbledon

Wimbledon

Handwriting practice lines with a starting dot on the top line and a diamond on the dashed middle line.

Handwriting practice lines with a starting dot on the top line and a diamond on the dashed middle line.

Handwriting practice lines with a starting dot on the top line and a diamond on the dashed middle line.